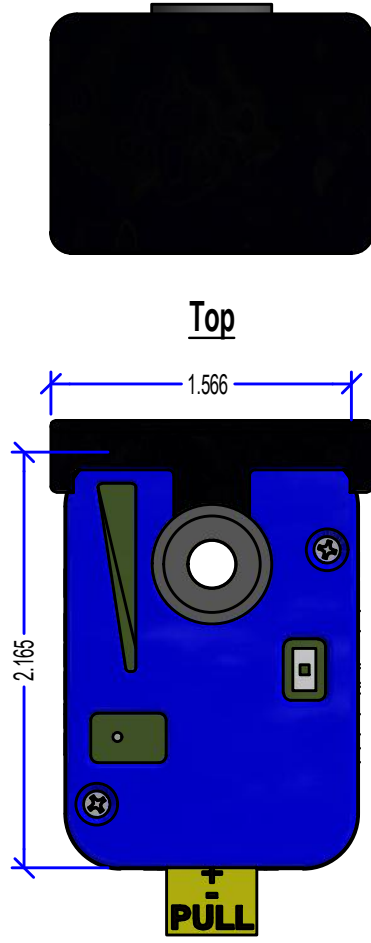


Left

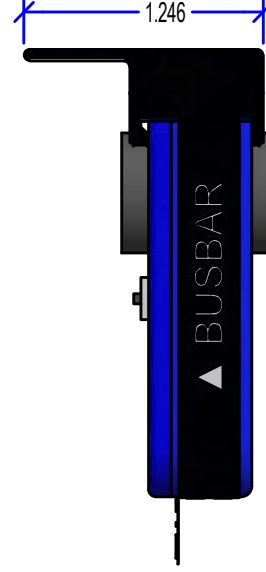


Front

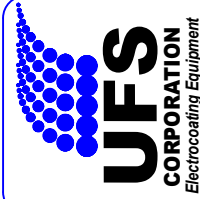
Top



Bottom



Right



Meter, TruAmp, 100 amp, SC

UNITS: INCHES

SCALE: 1:1

UFS PN: 220500

SHEET: 1 OF 2

DATE: 6/10/15

UFS Corporation
 330 North 400 East
 Valparaiso, IN 46383 USA
 Tel: (219) 464-2027
 Fax: (219) 464-8646
 www.ufsc.com
 Designed By: DICKERSON
 Customer Service Ext. 28
 Production Ext. 24
 Engineering Ext. 14

THIS DRAWING IS THE CONFIDENTIAL PROPERTY OF UFS CORPORATION AND SHOULD NOT BE USED IN ANY WAY DETRIMENTAL TO THE CORPORATION'S INTEREST. MATERIAL SHOULD NOT BE COPIED OR REPRODUCED IN PART OR IN WHOLE, AND INFORMATION FROM IT SHALL NOT BE FURNISHED TO OTHERS WITHOUT WRITTEN PERMISSION. ALL RIGHTS OF DESIGN AND INVENTION ARE RESERVED BY UFS CORPORATION. MATERIAL TO BE RETURNED UPON REQUEST.