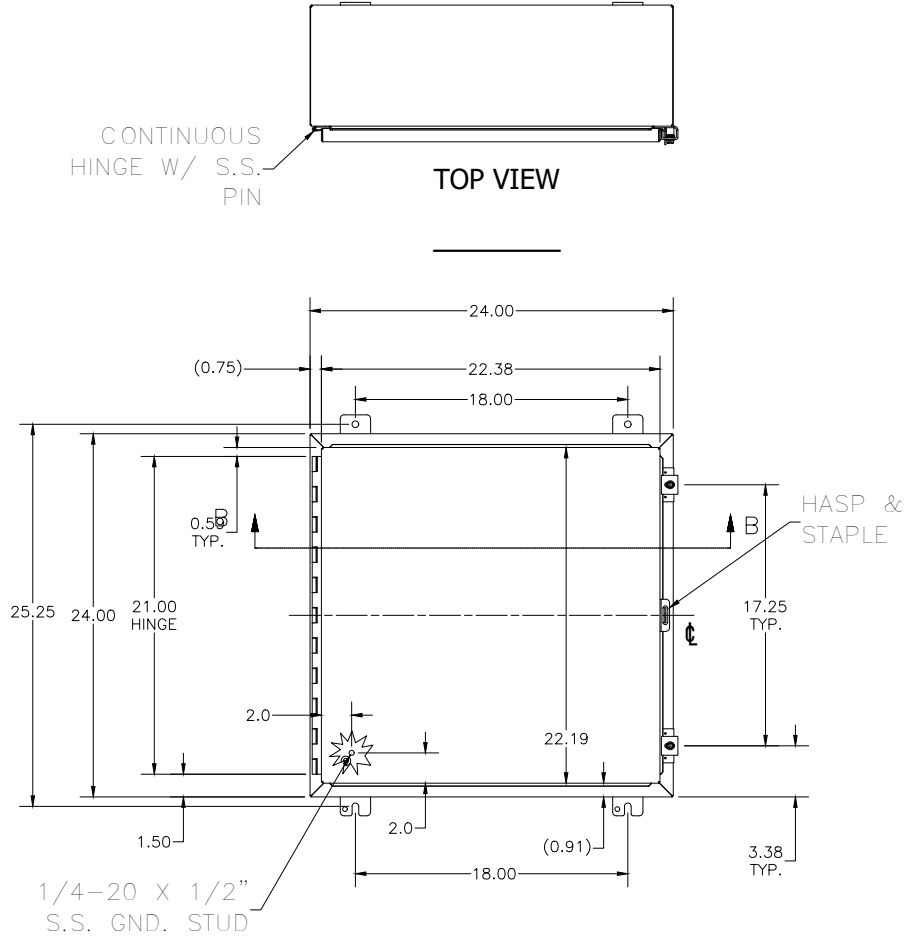
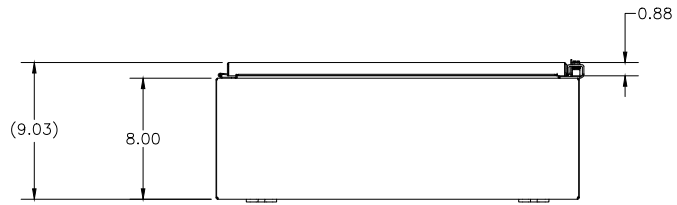


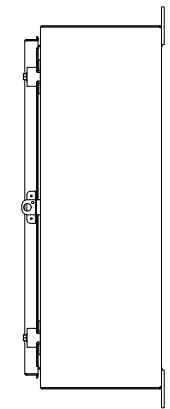
LEFT SIDE



FRONT VIEW



BOTTOM VIEW



RIGHT VIEW



Pnl,NGCM,90Pos,100A,Host

UNITS: MM/IN
SCALE: NONE

UFS PN: 221079

SHEET 2 OF 2
DATE: 11/7/16

UFS Corporation
330 North 400 East
Valparaiso, IN 46383 USA
Fax: (219) 464-8646
Tel: (219) 464-2027
www.ufsc.com
Sales Ext. 17
Customer Service Ext. 28
Production Ext. 24
Engineering Ext. 14

THIS DRAWING IS THE CONFIDENTIAL PROPERTY OF UFS CORPORATION AND SHOULD NOT BE USED IN ANY WAY DETRIMENTAL TO THE CORPORATION'S INTEREST. MATERIAL SHOULD NOT BE COPIED OR REPRODUCED IN PART OR IN WHOLE, AND INFORMATION FROM IT SHALL NOT BE FURNISHED TO OTHERS WITHOUT WRITTEN PERMISSION. ALL RIGHTS OF DESIGN AND INVENTION ARE RESERVED BY UFS CORPORATION. MATERIAL TO BE RETURNED UPON REQUEST.